

Non Power Type

Oil Water Separator

Separation by just “ Difference in specific gravity” and “ Head Pressure “



○ No requirement any utilities.

○ Separate Cutting / Machine Oil from water and reuse of separation oil

○ Separate Vegetable / Animal Oil from water and environmental friendly

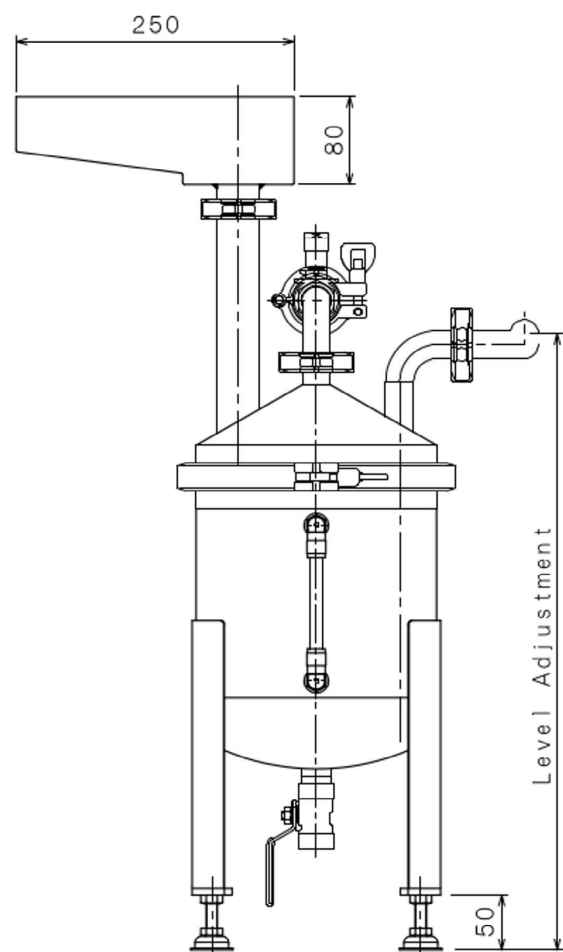
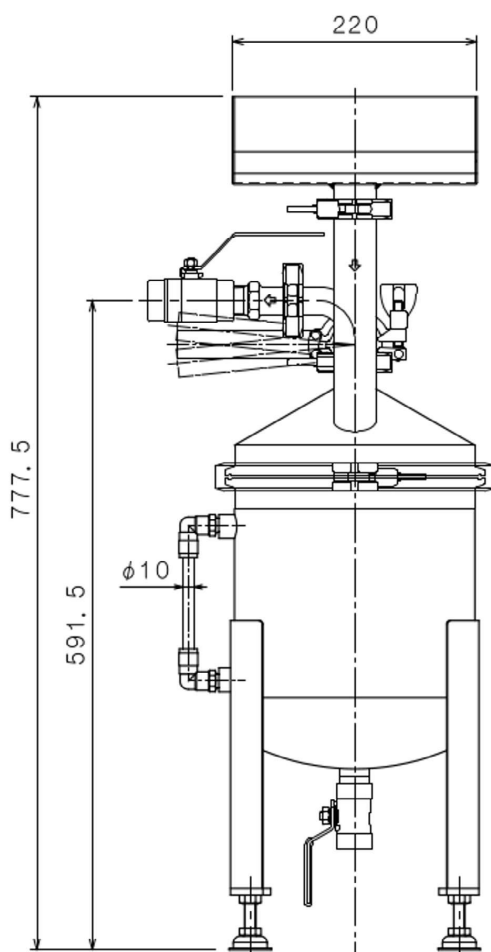
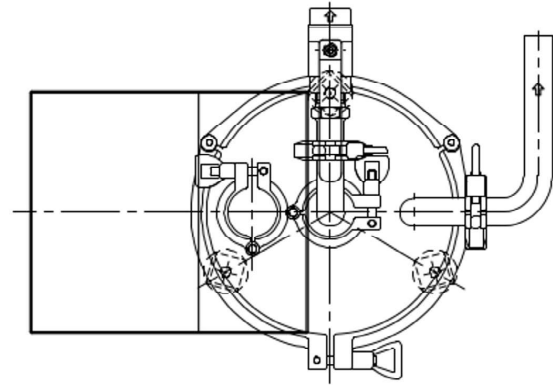
○ Recover Spilling Oil to river or sea

○ Potable Design for easy carrying

ITEMS	SPEC
Tank Volume	10L
Separation capacity	~6L/min
Efficiency	99%
Tank Material	SUS304
Weight	10kg

Note.

- Secure separation capacity and stable supply to get well separation
- Not enter solid items in Tank
- Separation to be depended on oil character



IKC Asis-Pacific Pte Ltd.

15 Hindhede Place, Singapore 587864

Phone: +65 96567493

Email: henry.yee@ikcasiapac.com



You can see the cooking video here.
(Read with your smartphone camera)