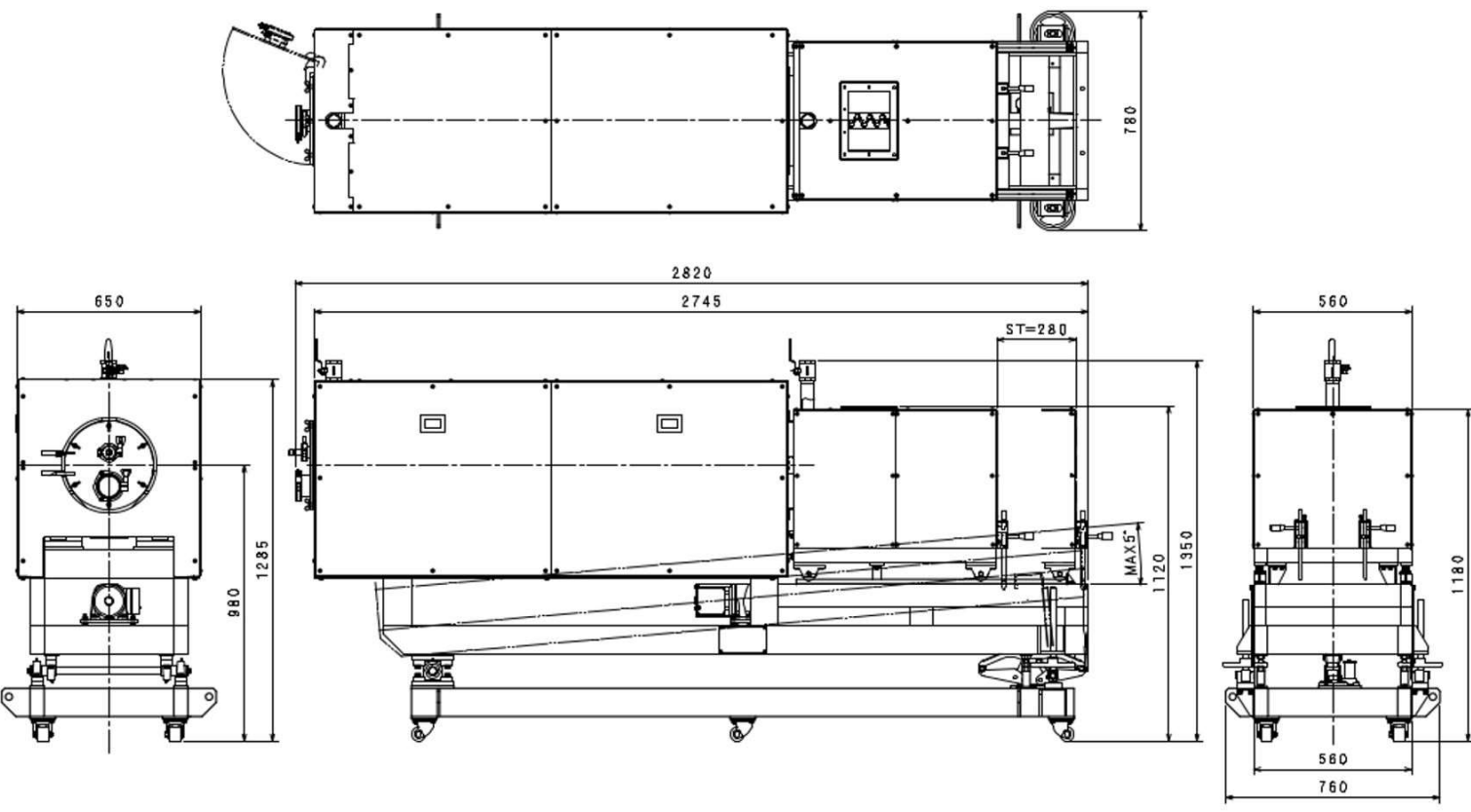


Induction Heating Rotary Kiln (IHRK-007-3)



Machine Specifications

Items	Specifications
Type	IHRK-007-3
Electrical Power	3P 200-220V (50/60Hz) 125A
Required Power Capacity	25.2kVA~3000kVA
IH Inverter	7kw×3
Effective Heating Area	ODφ216.3×L1200mm
Temp. Control	PID Control (Up to 350°C) 3 zones
Heating Coil	Copper Tube (water cooling : 200cc/min. required)
Rotating Speed of Kiln	~30r.p.m (Inverter Control)
Inclination Angle of Kiln	Max. 5 deg
Screw feeder Speed	~90r.p.m (Inverter Control)
Screw Feeder Capacity	120 kg/h by sesame seed case (depend on metrical)
Machine Weight	Approx. 120kg

※The heated steam generator is optional.



IKC Asia-Pacific Pte Ltd.
 15 Hindhede Place, Singapore 587864
 Phone: +65 96567493
 Email: henry.yee@ikcasiapac.com

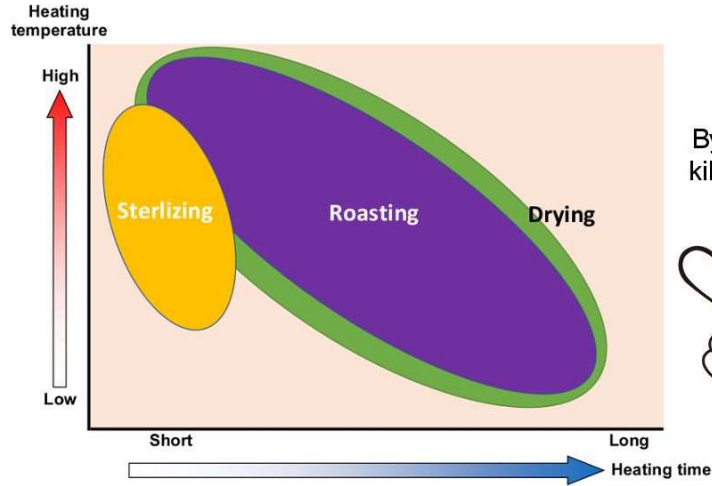
This Continues Rotary Kiln is to be applies Induction Heating technology and has a capability to add the Super Heat Steam injection.

This IH heat treatment is suitable for sterilizing, drying, roasting and bulking of coffee beans, sesame seeds, nuts, tea leaves and others.

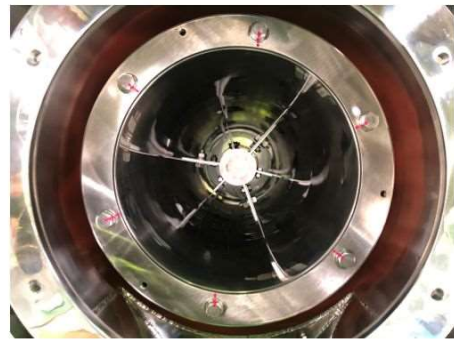
By adding Super Heat Steam, the inside of kiln is keeping less oxygen environment and the heat treatment is conducted under anti-oxidizing effect, and also safety from fire accident by oil mist.

【Features】

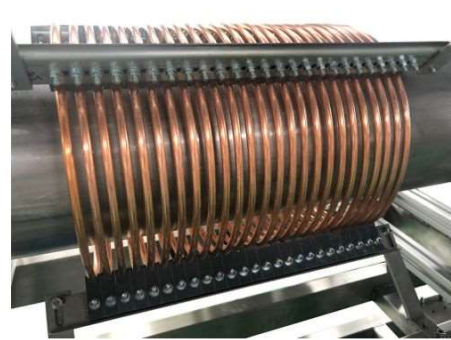
- By comparison with gas firing, Induction Heating is doing easy and accurate temperature control.
- Due to High Heating Efficiency such as more than 90%, the working environmental is keeping good conditions by less heating exhaust and it is possible to reduce air conditioning power.
- No firing and no possibility of incomplete combustion. Less possibility of fire accidents. Safe and easy for operators and environmental friendly machine by zero emission of CO2.



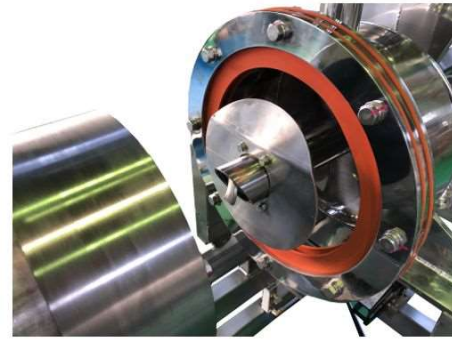
By combination of heating time, heating temperature, kiln rotating speed, the product quantity and quality is easy control for heating purpose such sterilizing, roasting, drying and others.



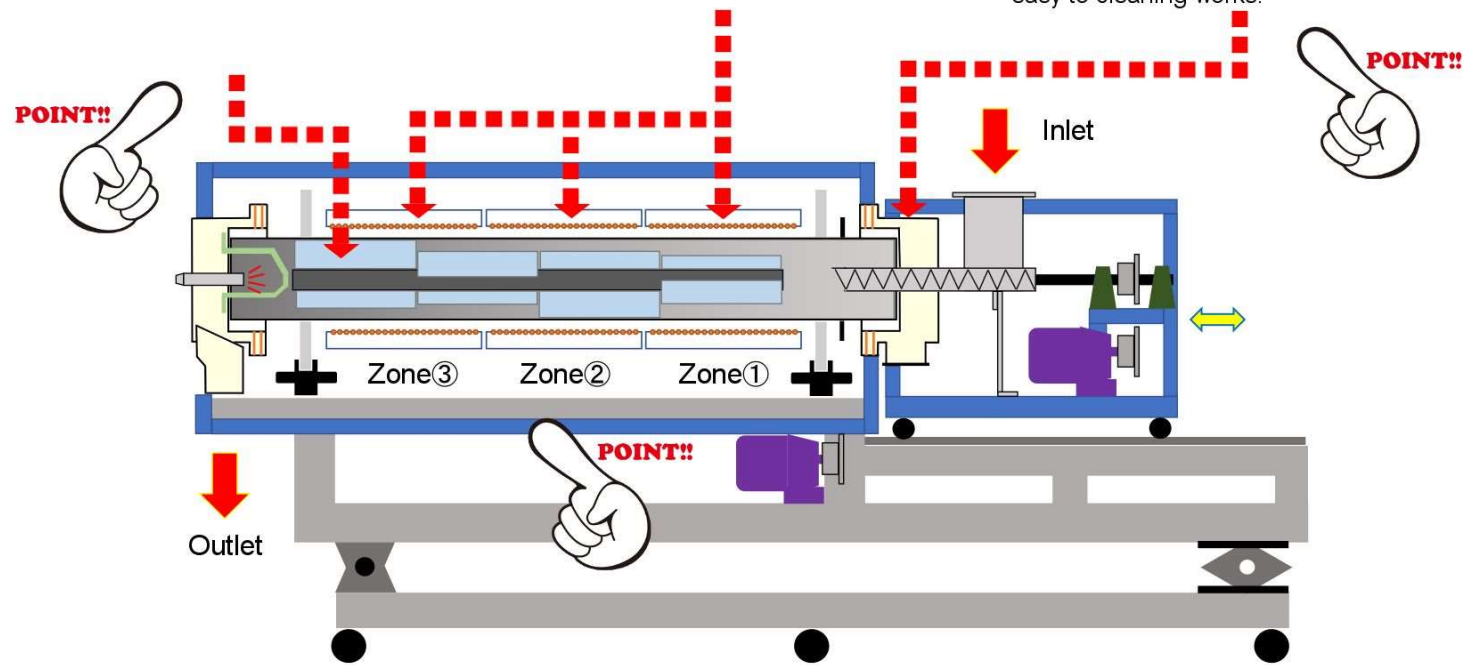
Several sections baffle are installed inside of kiln drum and each baffles are shifted in order to uniform heating and mixing.



By 3 zones heating control, it is possible to fine temperature controlling even 1 degree C.



The capacity of Screw Feeder is 120 kg/h (by sesame seeds). The Feeder section is to be separated from Kiln Drum and it is easy to cleaning works.



【Coffee Beans Sterilizing & Roasting】

Roasting Degree	Roasting Step	Roasting Time	Flavor	Difficulty
Light	Light Roasting	Short ↓ ↓ ↓ ↓ Long	Acidity ↓ ↓ ↓ ↓ Bitter	Difficult ↑ ↑ ↑ ↑ Easy
	Cinnamon Roasting			
Medium	Medium Roasting			
	High Roasting			
Deep	City Roasting			
	Full City Roasting			
Extra Deep	French Roasting			
	Italian Roasting			



【Sesame Seeds Sterilizing & Roasting】

	Deep Roasting	Light Roasting
Roasting Method	High Temp. & Deep	Low Temp. & long time
Color	Deep Brown	Light Golden Brown
Flavor	Fragrant	Natural
Temperature	more than 200 °C	160~200°C



【Nuts Sterilizing, Drying & Roasting】

Cashew Nuts, Walnuts, Peanuts, Almond, Pistachio and other Nuts



【Tea Leaves Sterilizing, Drying & Roasting】

Sterilizing for Tea Leaves and Roasting for fragrant flavor. Hojicha-Tea, Oolong Tea, Du Zhong Tea, Pu'er Tea and others

