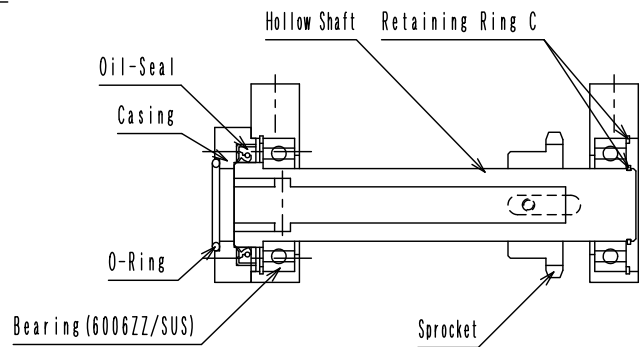
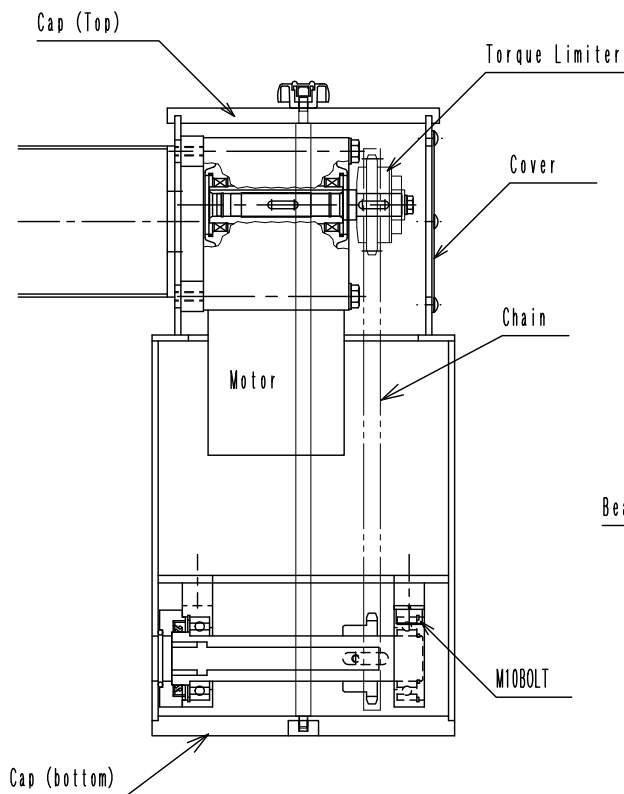


Mixing Box 【How to replace bearing】



DETAILED DRAWING

STIRRING BOX

1. Please turn off a breaker.
2. Please take off a cap of the top and bottom.
3. Please take off the front cover.
4. Please take off a chain.
5. Please take off a bolt fixing a bearing holder off the bottom.
6. A bearing unit comes off.

- ※ When I change bearing, please change it because the hollow shaft is worn when there is a wobble.
- ※ When an O ring and the oil seal are worn, please change it.