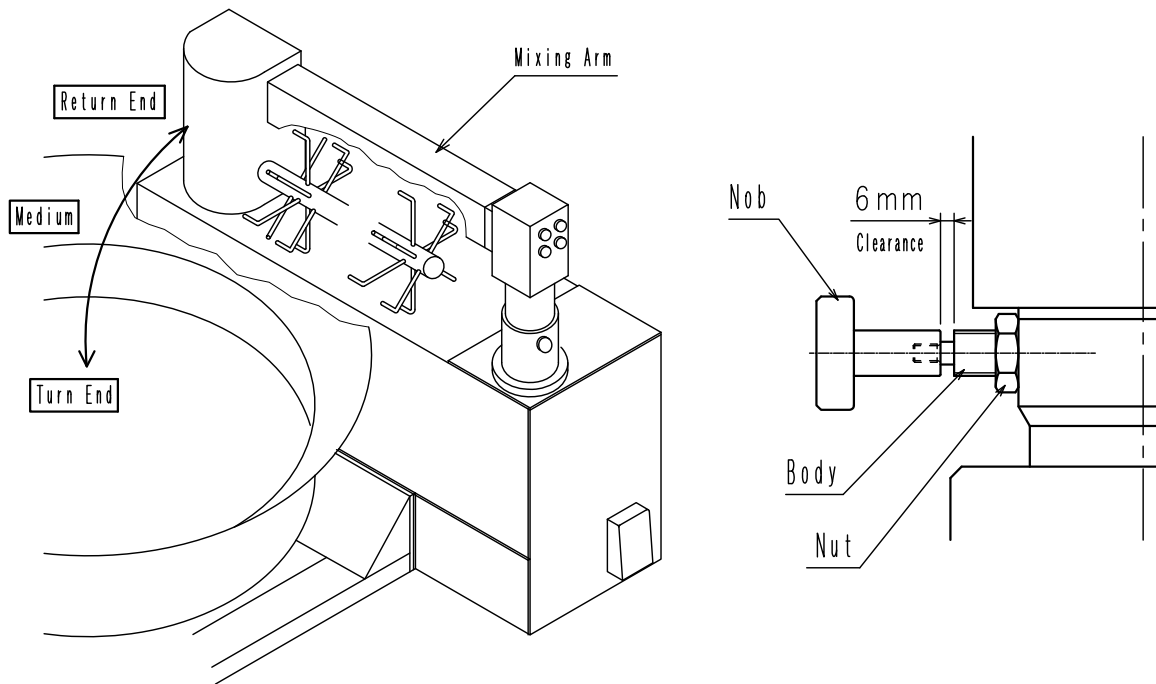


Index plunger exchange method



1. Please then to the middle position of the stirring arm.
2. Next, loosen the fixing nut of the plunger, turn the body, please remove it.
3. Screw the knob until the gap is approximately 6mm.
4. Please tighten the nut at the end with a tool.

※ Please make sure that after the exchange, to be securely locked.

※ Because a pin may not fall out, please be careful.
(Please do not screw too much)